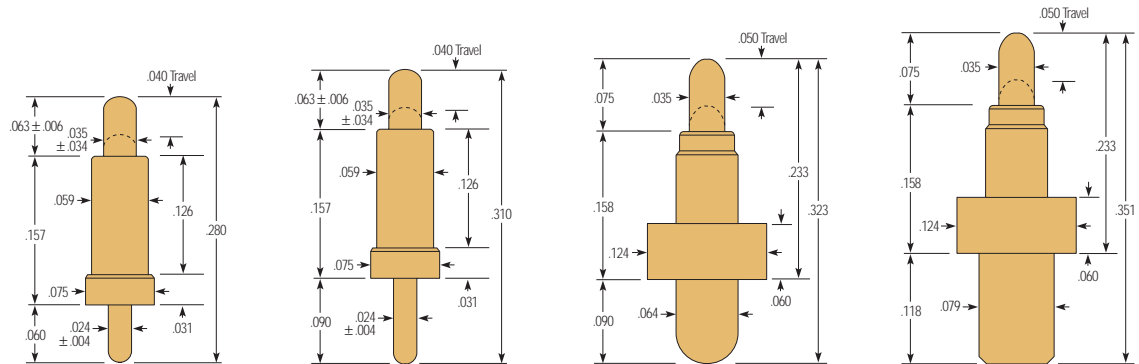


Battery Interconnect Probes



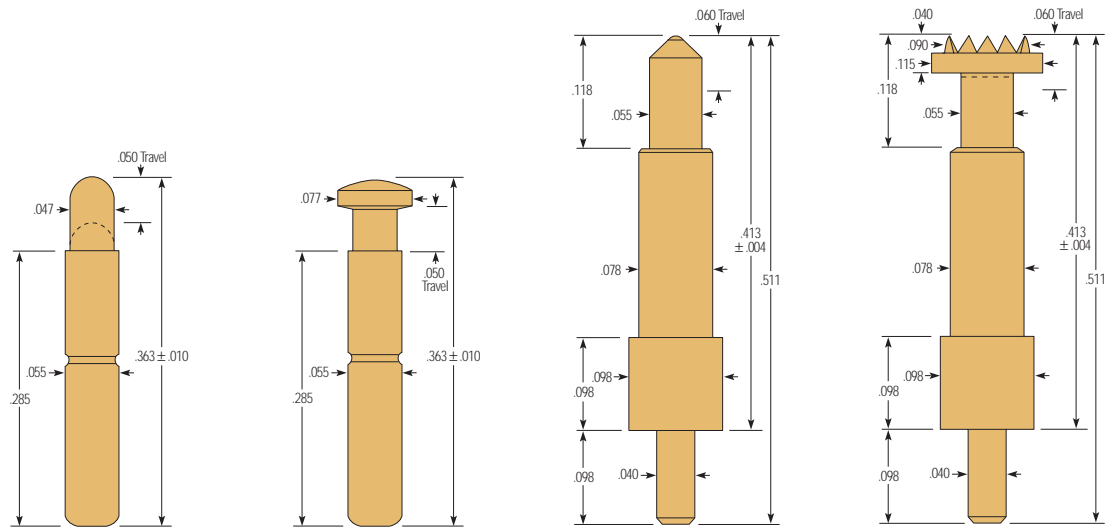
Battery Interconnect Probes

Everett Charles Technologies' versatile line of battery interconnect probes gives you design flexibility to match your performance, cost, and assembly requirements. Our design expertise and complete manufacturing capabilities will help you bring your product to market faster and easier.



Specifications	CP-059-013	CP-059-017	BIP-1	SPL-04J-079
Mechanical				
Test center:	.100	.100	.150	.150
Recommended working travel:	.040 (1.00)	.040 (1.00)	.050 (1.27)	.050 (1.27)
Spring force:	@ .040 (1.00) travel 4.5 oz. (128 gr.)	@ .040 (1.00) travel 4.5 oz. (128 gr.)	@ .050 (1.27) travel 3.5 oz. (99.31 gr.)	@ .050 (1.27) travel 3.25 oz. (92.1 gr.)
Electrical (Static Conditions)	10 amps DC max.	10 amps DC max.	5 amps DC max.	5 amps DC max.

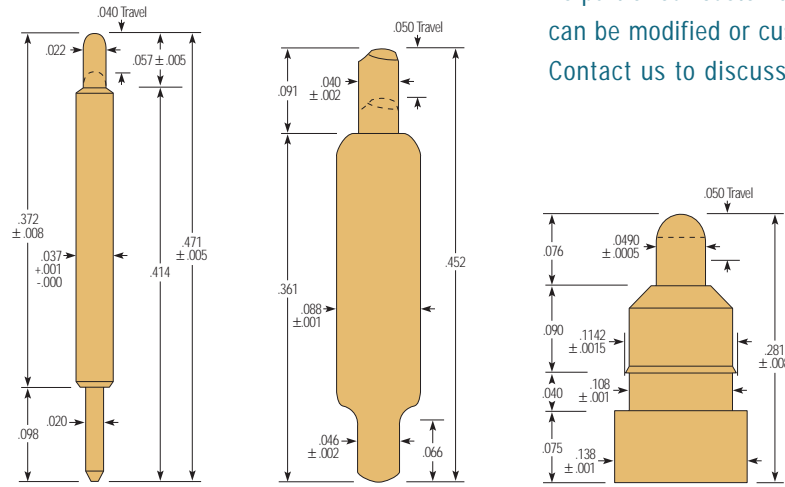
Materials and Finishes	CP-059-013	CP-059-017	BIP-1	SPL-04J-079
Plunger:	Brass, gold plated	Brass, gold plated	Beryllium copper, gold plated	Brass, gold plated
Barrel:	Brass, gold plated	Brass, gold plated	Brass, gold plated	Brass, gold plated
Spring:	Music wire natural	Music wire natural	Stainless steel, silver plated natural	Stainless steel, silver plated natural



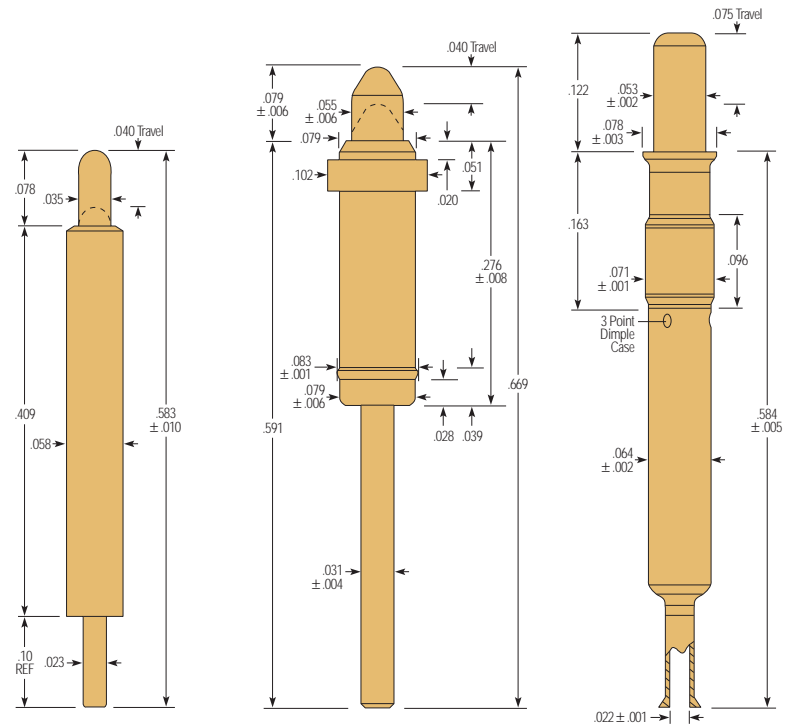
Specifications	BIP-2	HPA-64-3	BIP-3	SPL-25H-395
Mechanical				
Test center:	.100	.100	.125	.150
Recommended working travel:	.050 (1.27)	.050 (1.27)	.060 (1.52)	.060 (1.52)
Spring force:	@ .050 (1.27) travel 3.25 oz. (92.1)	@ .050 (1.27) travel 3.25 oz. (92.1)	@ .060 (1.52) travel Standard: 1.14 oz. (32.35) Alternate: 3.00 oz. (85.13)	@ .060 (1.52) travel 3.00 oz. (85.13)
Electrical (Static Conditions)	3 amps DC max.	3 amps DC max.	5 amps DC max.	5 amps DC max.

Materials and Finishes	BIP-2	HPA-64-3	BIP-3	SPL-25H-395
Plunger:	Beryllium copper, gold plated	Beryllium copper, gold plated	Brass, gold plated	Brass, gold plated
Barrel:	Nickel silver, gold plated	Nickel silver, gold plated	Brass, gold plated	Brass, gold plated
Spring:	Stainless steel, silver plated	Stainless steel, silver plated	Standard: Music wire, silver plated Alternate: Music wire, silver plated	Music wire, silver plated

As part of our customer service commitment, these products can be modified or custom designed to meet your needs. Contact us to discuss the limitless possibilities.



Specifications	CCA-004	SPL-04T-056	SPL-04J-082
Mechanical			
Test center:	.050	.100	.150
Recommended working travel:	.040 (1.02)	.050 (1.27)	.050 (1.27)
Spring force:	@ .040 (1.02) travel 2.85 oz. (80.87 gr.)	@ .050 (1.27) travel 2.50 oz. (70.94 gr.)	@ .050 (1.27) travel 3.50 oz. (70 gr.)
Electrical (Static Conditions)	5 amps DC max.	3 amps DC max.	3 amps DC max.
Materials and Finishes			
Plunger:	Brass, gold plated	Beryllium copper, gold plated	Beryllium copper, gold plated
Barrel:	Brass, gold plated	Brass, gold plated	Brass, gold plated
Spring:	Music wire, gold plated	Beryllium copper, silver plated	Stainless steel, gold plated



Specifications	SPL-25J-382	CCA-003	SPL-74C-015
Mechanical			
Test center:	.075	.125	.100
Recommended working travel:	.060 (1.50)	.040 (1.02)	.075 (1.91)
Spring force:	@ .060 (1.50) travel .67 oz. (19.0 gr.)	@ .040 (1.02) travel 2.59 oz. (73.49 gr.)	@ .075 (1.91) travel 5.22 oz. (148 gr.)
Electrical (Static Conditions)	5 amps DC max.	5 amps DC max.	5 amps DC max.
Materials and Finishes			
Plunger:	Brass, gold plated	Brass, gold plated	Beryllium copper, gold plated
Barrel:	Brass, gold plated	Brass, gold plated	Phosphor bronze, gold plated
Spring:	Music wire, silver plated	Music wire, gold plated	Stainless steel, silver plated

The ECT Advantage



- U.S. Based In-House R & D
- U.S. Based In-House Manufacturing
- Custom Development for Your Specific Application



**EVERETT CHARLES
TECHNOLOGIES**

World Headquarters
Contact Products Group
700 East Harrison Avenue
Pomona, CA 91767
Tel: 909-625-5551
Fax: 909-624-9746

www.ectinfo.com